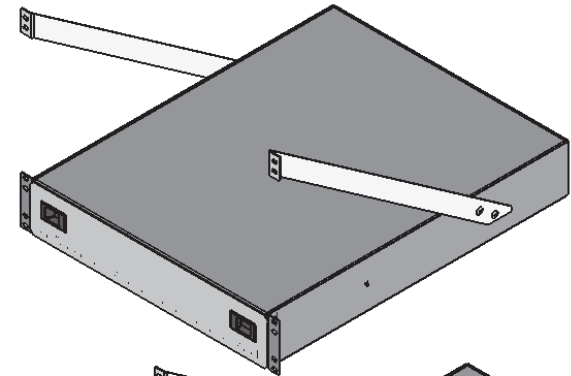
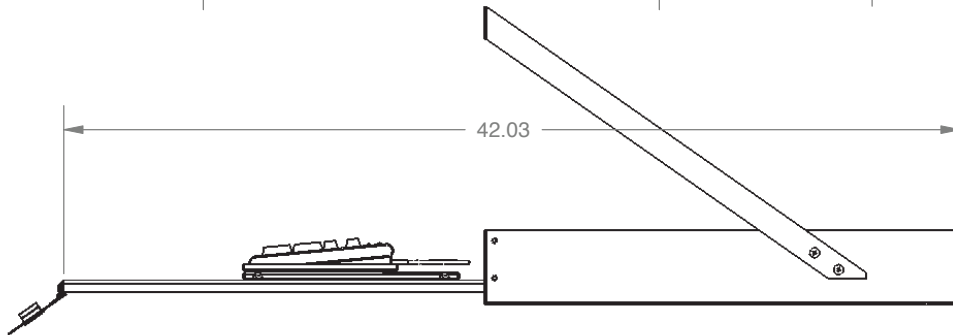
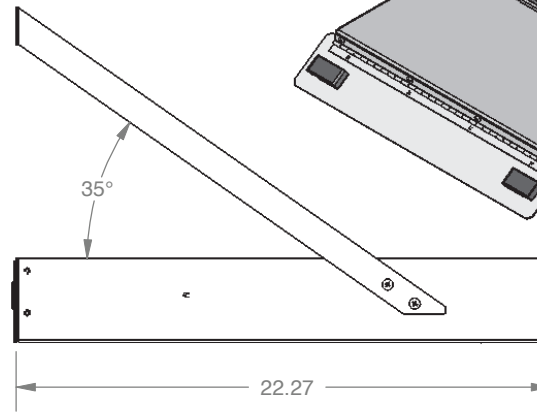
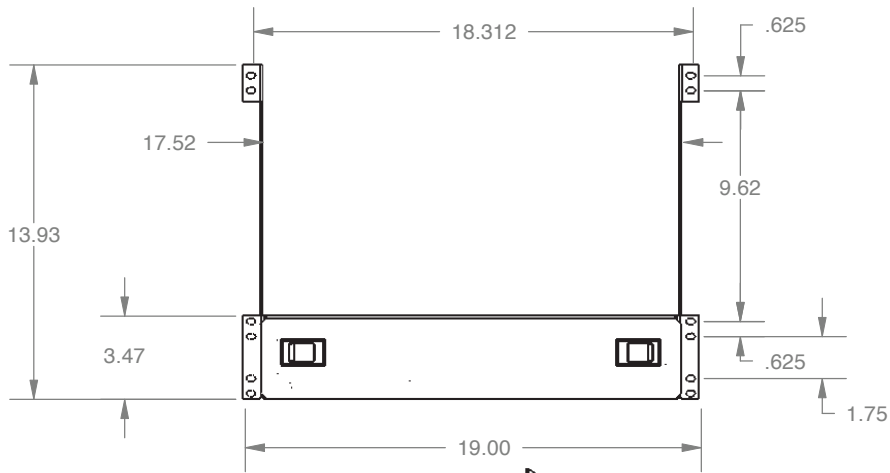
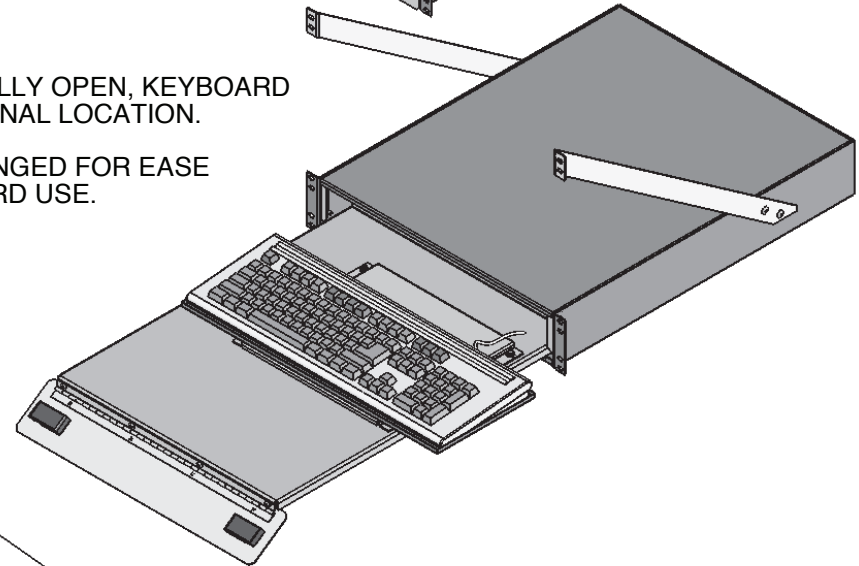


NOTE: DRAWER CLOSED, KEYBOARD  
IN STORED POSITION.



NOTE: DRAWER FULLY OPEN, KEYBOARD  
IN OPERATIONAL LOCATION.

- FRONT PANEL HINGED FOR EASE  
OF KEYBOARD USE.



		TITLE: 3 In 1 Retractable keyboard shelf NVR-KMMS-1920	
		DESCRIPTION Main Assy	
DWG/PART #		NVR-KMMS-1920	
PL			SHEET 1 OF 1
DATE: Dec 11/08	SCALE: 1:8		REV. 00

Tel: 905-952-2288  
 Fax: 905-952-2286  
 6B-250 Harry Walker Pkwy N - Newmarket, Ontario - L3Y 7B4  
[www.netversity.ca](http://www.netversity.ca)