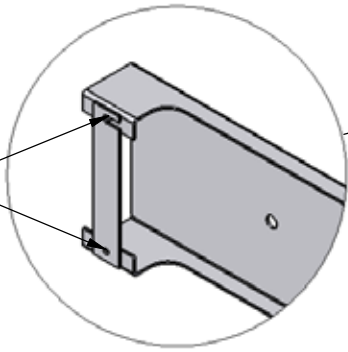
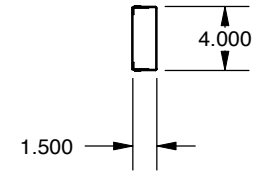
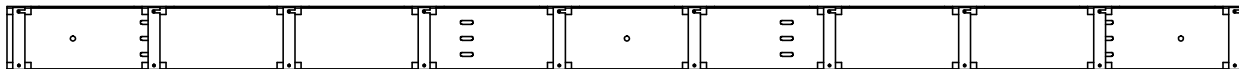
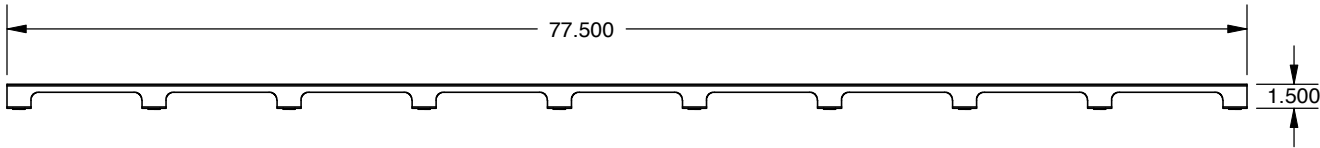
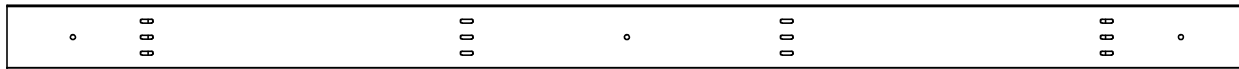
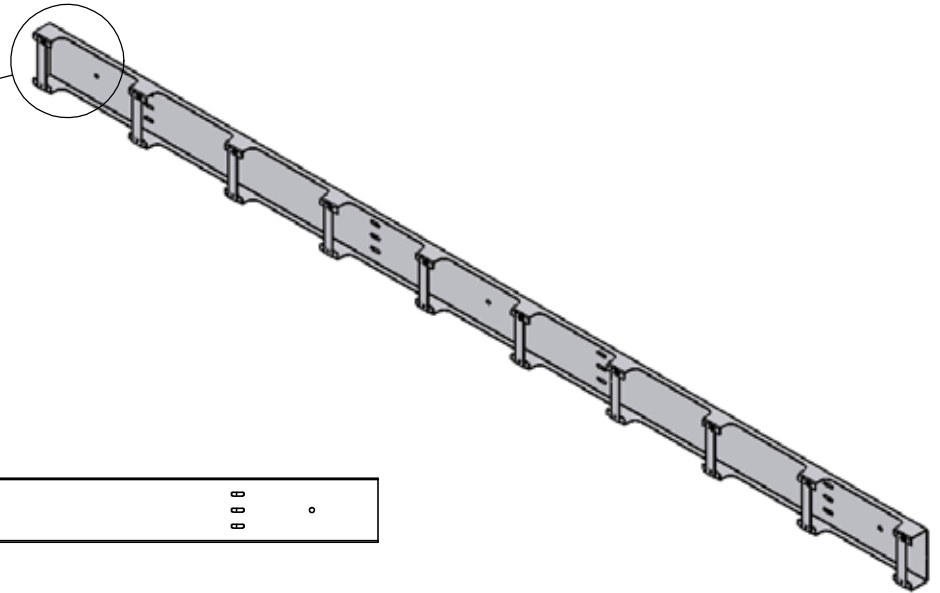


(2) #10  
SELF TAPPING  
SCREWS



DETAIL A  
SCALE 1 : 4



**CUSTOMER APPROVAL OF DRAWINGS**

Signed drawing(s) is a statement that the dimensions, design and application have been reviewed and are approved for fabrication.

- Approved as submitted
- Approved as noted
- Disapproved - Please resubmit

NOTE: MANUFACTURING WILL BE SCHEDULED AFTER RECEIPT OF APPROVED DRAWINGS.



Tel: 905-952-2288  
 Fax: 905-952-2286  
 www.netversity.ca  
 6B-250 Harry Walker Pkwy N - Newmarket, Ontario - L3Y 7B4

TITLE: Ladder Style CMS Standard Cabinet		
DESCRIPTION 77.5" Ladder Style CMS		
DWG/PART # NVC-VCM-L444		
Drawn By: PL	Checked By -	SHEET 1 OF 1
DATE: Dec-2-08	SCALE: 1:12	REV. 0

NOTE: ALL DIMENSIONS ARE IN INCHES UNLESS OTHERWISE SPECIFIED